



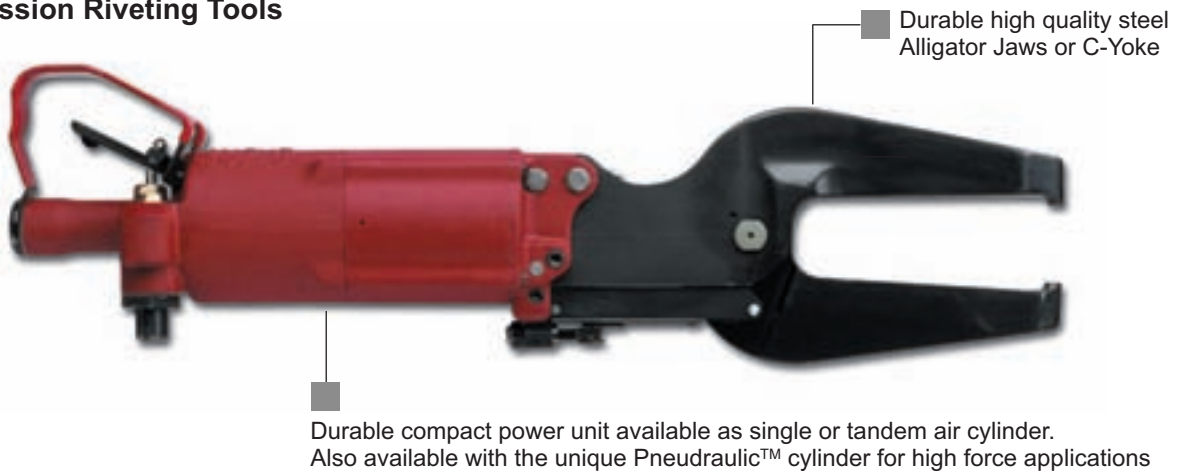
Desoutter



Riveting Hammers, Compression Tools Riveting

A complete range of riveting tools to accommodate many hand held applications, from compression riveters to riveting hammers, Desoutter can provide riveting tools to suit most needs

Compression Riveting Tools



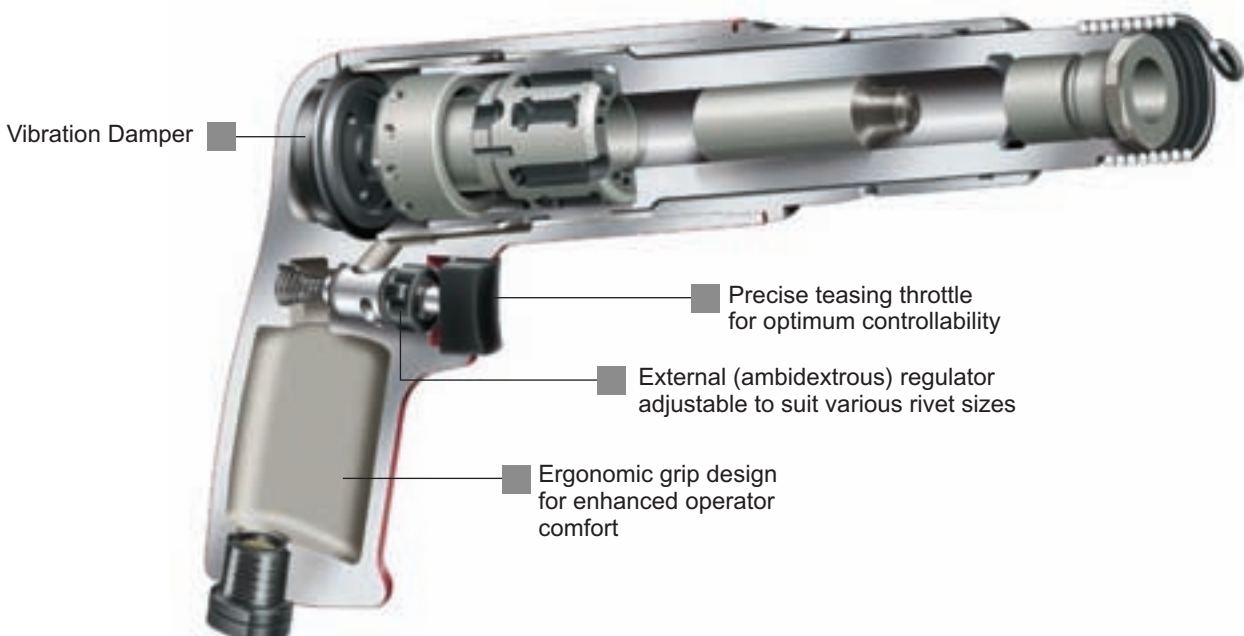
Percussive Riveting Tools

Conventional riveting hammers CP4444 & CP4447 provide the power capable of upsetting aluminium rivets up to $\varnothing 9.5\text{mm}$ (3/8") and steel rivets up to $\varnothing 7.9\text{mm}$ (5/16").

'Vibration Reduced' Percussive Riveting Tools

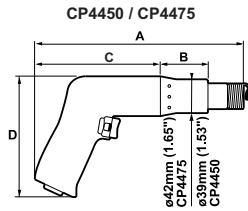
In pistol form the CP4450 with a capacity up to $\varnothing 6.4\text{mm}$ (1/4") and the new high force CP4475 with a capacity up to $\varnothing 9.5\text{mm}$ (3/8").

The CP4450-S in-line 'Vibration reduced' riveting hammer is ideal for over structure application when vertical application is necessary

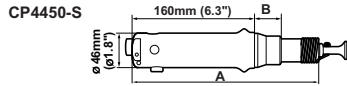
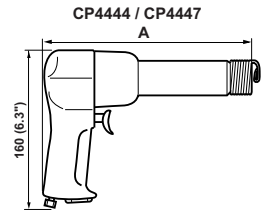


Accessories

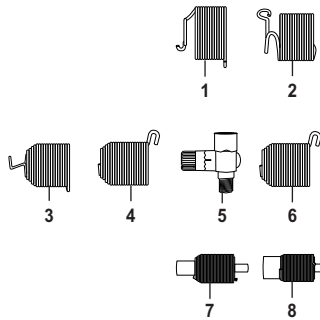
Model	A		B		C		D	
	mm	in.	mm	in.	mm	in.	mm	in.
CP4450-2	213	8.4	32	1.26	102	4.0	138	5.4
CP4450-3	226	8.9	32	1.26	102	4.0	138	5.4
CP4450-4	251	9.9	60	2.36	102	4.0	138	5.4
CP4475-3	275	10.8	54	2.13	180	7.1	140	5.5
CP4475-4	300	11.8	79	3.11	180	7.1	140	5.5
CP4475-6	351	13.8	130	5.12	180	7.1	140	5.5



Model	A	
	mm	in.
CP4444-RURAB	170	6.7
CP4444-RUSAB	186	7.3
CP4444-RUTAB	211	8.3
CP4447-RUSAB	227	8.9
CP4447-RUTAB	252	9.9
CP4447-RUVAB	303	11.9



Model	A		B	
	mm	in.	mm	in.
CP4450-S-2	220	8.7	32	1.26
CP4450-S-3	223	9.2	32	1.26
CP4450-S-4	258	10.2	60	2.36



CP4444 / CP4447 / CP4450 / CP4475 / CP4450-S

ACCESSORIES INCLUDED

ITEM	CP4444 CP4450(S)	CP4447 CP4475
1 Light Wire Quick-Change Retainer	A046095	A047095
2 Wire Quick-Change Retainer		

OPTIONAL ACCESSORIES

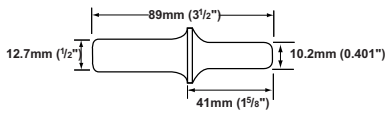
ITEM	CP4444 CP4450	CP4447 CP4475
3 Zip-Quick Retainer	A046094	
4 Beehive Retainer	A046096	
5 Air Inlet Regulation (for CP4450-S only)	CA085203	
6 Beehive Retainer		A047096
7 Nail Driving Attachment for 20-60 Penny Nail Size (for CP4447-RUSAB & CP4475)		P042448
8 Nail Driving Attachment for 12" Spikes (for CP4447-RUVAB)		P047810

CP4444 / CP4450 / CP4450-S

Type I Rivet Sets ø 10.2mm (0.401")

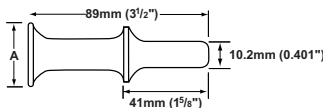
RIVET HEAD CUPPING	2.4mm (3/32")	3.2mm (1/8")	4.0mm (5/32")	4.8mm (3/16")	6.4mm (1/4")
• Round (AN-430)	P089206	P089207	P089208	P089209	P089210*
• Brazier (AN-455)	P089211	P089212	P089213	P089214	P089215*
• Universal (AN-470)	P089221	P089222	P089223	P089224	P089225*
• Soft Blank Set	P071108				
• Hardened Blank Set	P080178				

* Must use Light Wire Quick-Change Retainer, A046095 with these sets



Type I Flush Rivet Sets ø 10.2mm (0.401")

	A		CP4444/4450 .401 SHANK
	mm	in	
•	25.4	1"	A046090
•	31.8	1 1/4"	A089232
•	38.1	1 1/2"	A089233
•	44.5	1 3/4"	A046091

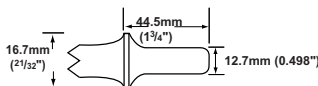


CP4447 / CP4475

Type D Rivet Sets ø 12.7mm (0.498")

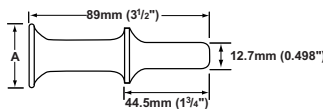
RIVET HEAD CUPPING	RIVET SET PART NO. BY RIVET BODY DIA.		
	4.8mm (3/16")	6.4mm (1/4")	8mm (5/16")
• Round (AN-430)	P089240	P089241	P089242*
• Brazier (AN-455)	P089244	P089245	
• Modified Brazier (AN-456)	P089248	P089244	P089245*
• Universal (AN-470)	P089252	P089253	P089254*
• Soft Blank Set	P070995		
• Hardened Blank Set	P080198		

* Must use Light Wire Quick-Change Retainer, A047095



Type I Flush Rivet Sets ø 12.7mm (0.498")

	A		CP4447/4475 .498 SHANK
	mm	in	
•	31.8	1 1/4"	A047091



Standard and Vibration Reduced Riveting Hammers



Air inlet thread: 1/4" NPT/BSP

PIC REF	MODEL	PART NUMBER	AIRFRAME REF	BLOW PER MINUTE	BORE AND STROKE		ENERGY PER BLOW		CHISEL SHANK OPENING	CAPACITY COLD RIVETS		WEIGHT		HOSE INT. Ø	
					mm		J	ft.lb		Dural	Steel	kg	lb	mm	in.
RIVETING HAMMERS (PISTOL GRIP) - STANDARD															
A	CP4444-RURAB	T022961	2X	2580	12.7 x 50.8mm 1/2" x 2"	4.0	2.9	TYPE 1 0.401"	3.2mm 1/8"	2.4mm 3/32"	1.0	2.2	10	3/8	
A	CP4444-RUSAB	T022962	3X	2160	12.7 x 76.2mm 1/2" x 3"	6.1	4.5	TYPE 1 0.401"	4.8mm 3/16"	4.0mm 5/32"	1.1	2.3	10	3/8	
A	CP4444-RUTAB	T022963	4X	1740	12.7 x 101.6mm 1/2" x 4"	8.1	6.0	TYPE 1 0.401"	6.4mm 1/4"	4.8mm 3/16"	1.3	2.7	10	3/8	
B	CP4447-RUSAB	T022965	5XB	1560	19.1 x 68.3mm 3/4" x 2 1/16"	12.3	9.1	TYPE D 0.498"	6.4mm 1/4"	4.8mm 3/16"	2.2	4.7	10	3/8	
B	CP4447-RUTAB	T022912	9XB	1140	19.1 x 98.4mm 3/4" x 3 7/8"	17.8	13.1	TYPE D 0.498"	7.9mm 5/16"	6.4mm 1/4"	2.3	5.1	10	3/8	
B	CP4447-RUVAB	T022964	7XB	900	19.1 x 147.6mm 3/4" x 5 13/16"	26.6	19.6	TYPE D 0.498"	9.5mm 3/8"	7.9mm 5/16"	2.7	9.0	10	3/8	
RIVETING HAMMERS (PISTOL GRIP) - VIBRATION REDUCED															
C	CP4450-2	T025189	2X	2580	12.7 x 50.8mm 1/2" x 2"	4.0	2.9	TYPE 1 0.401"	3.2mm 1/8"	2.4mm 3/32"	1.2	2.7	10	3/8	
C	CP4450-3	T025190	3X	2160	12.7 x 76.2mm 1/2" x 3"	6.1	4.5	TYPE 1 0.401"	4.8mm 3/16"	4.0mm 5/32"	1.3	2.8	10	3/8	
C	CP4450-4	T025191	4X	1740	12.7 x 101.6mm 1/2" x 4"	8.1	6.0	TYPE 1 0.401"	6.4mm 1/4"	4.8mm 3/16"	1.5	3.2	10	3/8	
D	CP4475-3	T025241	5XB	2000	19.1 x 76.2mm 3/4" x 3"	13.7	10.1	TYPE D 0.498"	6.4mm 1/4"	4.8mm 3/16"	1.8	3.9	10	3/8	
D	CP4475-4	T025242	9XB	1700	19.1 x 101.6mm 3/4" x 4"	18.3	13.5	TYPE D 0.498"	7.9mm 5/16"	6.4mm 1/4"	2.4	5.3	10	3/8	
D	CP4475-6	T025243	7XB	1250	19.1 x 152.4mm 3/4" x 6"	27.5	20.3	TYPE D 0.498"	9.5mm 3/8"	7.9mm 5/16"	2.8	6.2	10	3/8	
RIVETING HAMMERS (IN-LINE) - VIBRATION REDUCED															
E	CP4450-S-2	205 146 712 4	2X	2580	12.7 x 50.8mm 1/2" x 2"	4.0	2.9	TYPE 1 0.401"	3.2mm 1/8"	2.4mm 3/32"	1.25	2.8	10	3/8	
E	CP4450-S-3	205 146 713 4	3X	2160	12.7 x 76.2mm 1/2" x 3"	6.1	4.5	TYPE 1 0.401"	4.8mm 3/16"	4.0mm 5/32"	1.35	3.0	10	3/8	
E	CP4450-S-4	205 146 714 4	4X	1740	12.7 x 101.6mm 1/2" x 4"	8.1	6.0	TYPE 1 0.401"	6.4mm 1/4"	4.8mm 3/16"	1.45	3.2	10	3/8	