

The King of Swing for Tight Spots

888.DESTACO (3378226)

The **9500 Series** Swing Clamps have been redesigned with **flexible mounting options** and an additional size with a **larger bore**.

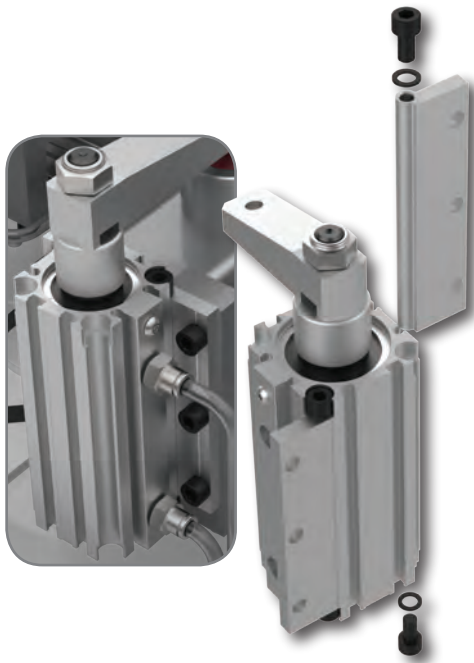
- **Ideal for tight spaces** with an arm motion that rotates at the top of the stroke
- Includes a **rod weld cover** to protect the rod throughout the entire stroke
- 9500 Swing Clamps can be **mounted on any face**[†]



Swing clamps shown with optional arm

Three types of mounting with **one** body

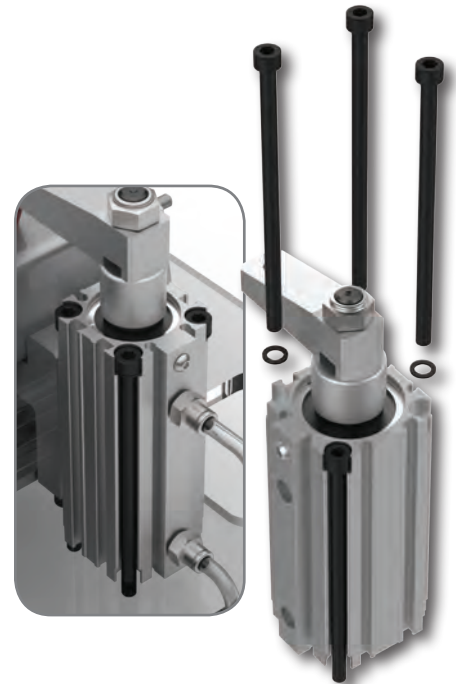
Side Flange[†]



Tapped Hole[†]



Direct



[†]With optional mounting kit (sold separately)

destaco.com

STAY Informed | STAY Connected | STAY Productive



A DOVER COMPANY

9500 Series Swing Clamp

Technical Information

Model	Total Stroke*	Clamping Force†	Bore Size	Air Consumption‡	Weight
9522-2	[0.50 in] 13 mm	[34 lbf] 150 N	[0.86 in] 22 mm	[1.08 in ³] 17.6 cm ³	[0.68 lb] 0.31 kg
		[76 lbf] 340 N	[1.26 in] 32 mm	[2.98 in ³] 48.8 cm ³	[1.25 lb] 0.57 kg
9540-2	[0.79 in] 20 mm	[123 lbf] 550 N	[1.57 in] 40 mm	[4.73 in ³] 77.5 cm ³	[1.98 lb] 0.90 kg
		[196 lbf] 870 N	[1.97 in] 50 mm	[7.67 in ³] 125.7 cm ³	[3.33 lb] 1.51 kg

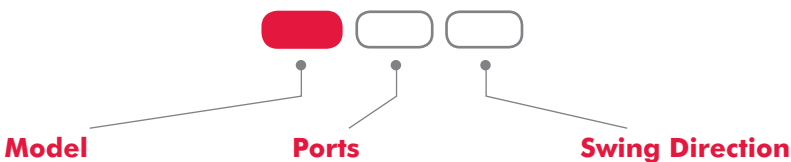
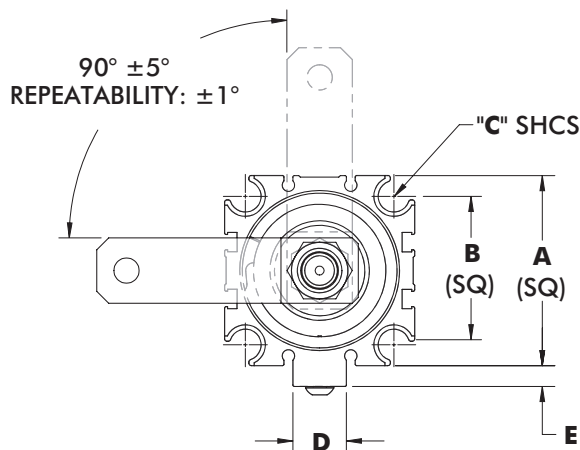
Operating Pressure Range: 3 bar [40 psig] to 8 bar [120 psig]

Maximum Operating Temperature 60° C [140° F]

*Total Stroke = vertical clamping stroke

†Clamping Force @ 5 bar [72 psi] with standard (short) clamp arm

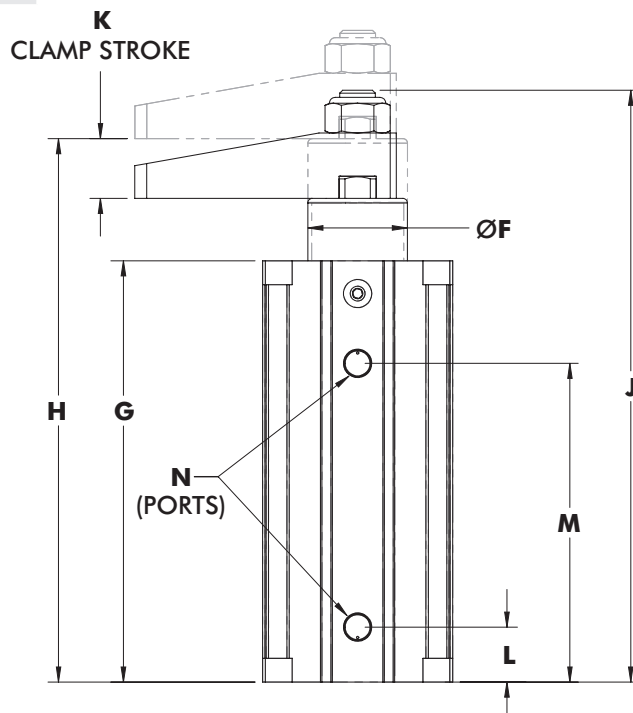
‡Air consumption per double stroke



Model	Bore	Ports	Swing Direction
9522-2	22mm bore	Blank	L Left hand
9530-2	32mm bore	G G-1/8 ports	R Right hand
9540-2	40mm bore		
9550-2	50mm bore		

Example: 9540-2L

Clamp arms, mounting kits and sensors sold separately
(See catalog for details)



Dimensions (mm [in])

Model	A	B	C	D	E	F	G	H	J	K	L	M	N
9522-2	[1.42] 36	[1.00] 25.4	[#10] M5	--	--	[0.82] 21	[3.77] 95.8	[4.79] 121.8	[5.22] 132.7	[0.50] 13	[0.43] 11	[2.90] 73.8	M5
9530-2	[1.81] 46	[1.34] 34	[1/4"] M6	[0.55] 14	[0.16] 4	[0.96] 24.4	[4.48] 113.7	[6.09] 154.8	[6.54] 166	[0.79] 20	[0.61] 15.5	[3.39] 86.2	1/8 NPT
	9530-2G												G-1/8
9540-2	[2.05] 52	[1.57] 40	[1/4"] M6	[0.55] 14	[0.20] 5	[1.13] 28.7	[4.63] 117.6	[6.29] 159.7	[6.73] 170.9	[0.79] 20	[0.65] 16.5	[3.43] 87.1	1/8 NPT
	9540-2G												G-1/8
9550-2	[2.52] 64	[1.97] 50	[5/16"] M8	[0.71] 18	[0.28] 7	[1.32] 33.5	[5.58] 141.8	[7.20] 182.9	[7.85] 199.3	[0.79] 20	[0.73] 18.5	[4.22] 107.3	1/8 NPT
	9550-2G												G-1/8