

Model


2AM-FCC-1 (4 Vanes, CCW Rotation)

2AM-FCW-13 (4 Vanes, CW Rotation)

Net wt. 7 lbs (3,2 kg)

FEATURES

- Foot mounting
- Any plane operation
- Metal muffler AC980 adds 2" height when installed

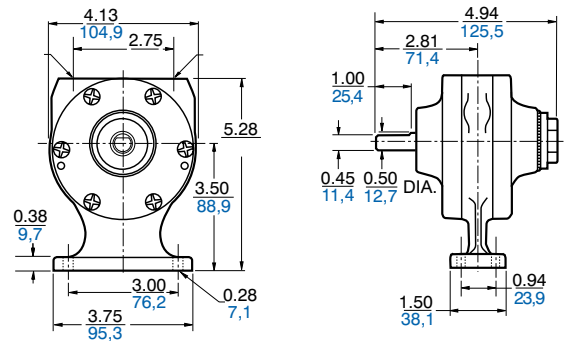
-  II 2 GD c T4

RECOMMENDED

- Filter AH103F
- Regulator AH104R
- Gauge AA806
- Lubricator AH105L
- Oil AD220 – 1 quart (.94 litres)
- Repair kit K202 (Single Rotation)



Product Dimensions (inches, mm)



2AM-NCC-16 (4 Vanes, CCW Rotation)


2AM-NCW-7B (4 Vanes, CW Rotation)

2AM-NRV-89 (4 Vanes, Reversible)

Net wt. 6 lbs (2,7 kg)

FEATURES

- Hub mounting
- Any plane operation
- Metal muffler AC980 adds 2" height when installed

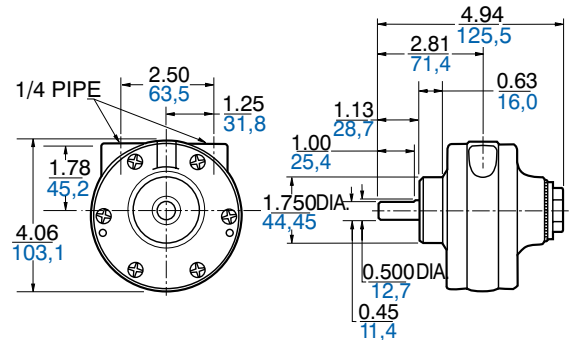
-  II 2 GD c T4

RECOMMENDED

- Filter AH103F
- Regulator AH104R
- Gauge AA806
- Lubricator AH105L
- Oil AD220 – 1 quart (.94 litres)
- Repair kit K202 (Single Rotation)
- Repair kit K509 (Reversible)



Product Dimensions (inches, mm)




2AM-NCC-43A (4 Vanes, CCW Rotation)

2AM-NRV-90 (4 Vanes, Reversible)

Net wt. 15 lbs (6,8 kg)

FEATURES

- NEMA 56C mounting
- Any plane operation
- Metal muffler AC980 adds 2" height when installed

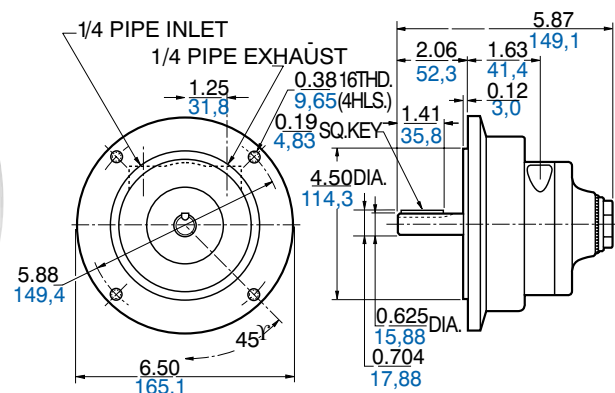
-  II 2 GD c T4

RECOMMENDED

- Filter AH103F
- Regulator AH104R
- Gauge AA806
- Lubricator AH105L
- Oil AD220 – 1 quart (.94 litres)
- Repair kit K203A (Single Rotation)
- Repair kit K510 (Reversible)



Product Dimensions (inches, mm)



Model

2AM-ACC-88

(4 Vanes, CCW Rotation)
Flange Mount

2AM-ACC-91

(4 Vanes, CCW Rotation)
Face Mount


2AM-ARV-92

(4 Vanes, Reversible)
Flange Mount

2AM-ARV-93

(4 Vanes, Reversible)
Face Mount

FEATURES

- IEC #72 mounting frame size:
D71 (2AM-ACC-88, 2AM-ARV-92)
D71C (2AM-ACC-91, 2AM-ARV-93)
- Any plane operation
- Metal muffler AC980 adds 2" height when installed
-  II 2 GD c T4

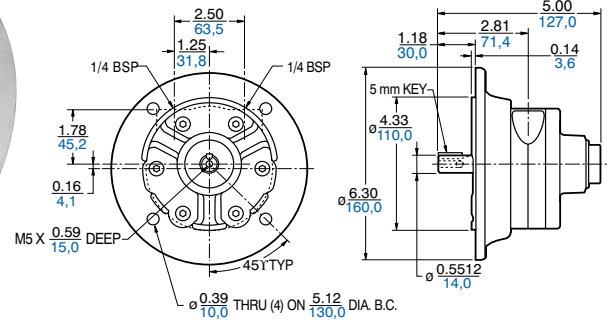
RECOMMENDED

- Repair kit K203A (Single Rotation)
- Repair kit K510 (Reversible)

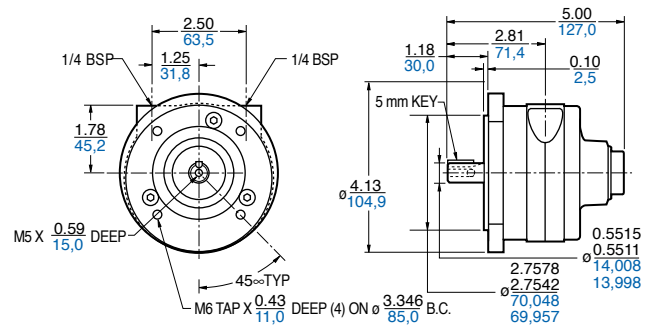


Product Dimensions (inches, mm)

Models 2AM-ACC-88/2AM-ARV-92

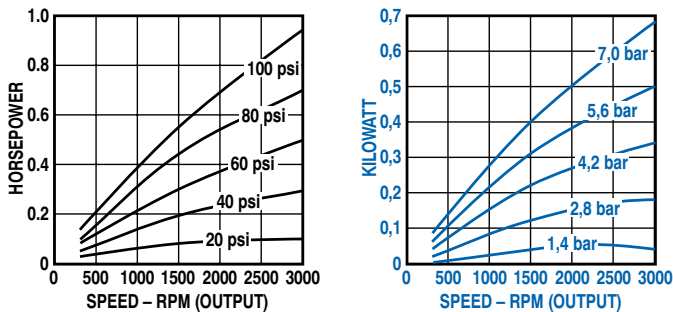


Models 2AM-ACC-91/2AM-ARV-93

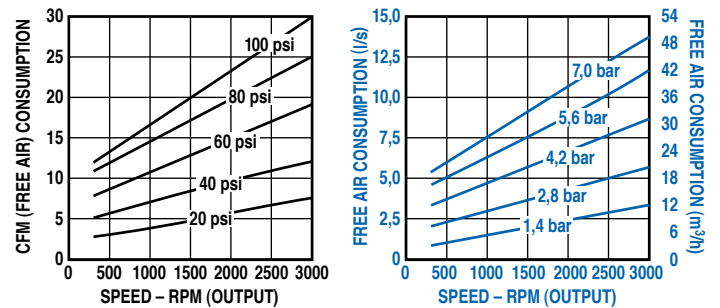


Delivers up to 0,56 kW ($\frac{3}{4}$ HP). Speeds may be varied from 300 to 3,000 rpm. Max. recommended operating pressure 7 bar (100 psi).

Output Power vs. Speed



Air Consumption vs. Speed



Torque vs. Speed

