

### MODEL

**4AM-FRV-24** (4 Vanes, Dual Shaft)

**4AM-FRV-13C** (4 Vanes, Reversible)

**4AM-FRV-63A** (8 Vanes, Reversible)

Net wt. 9 lbs (4,1 kg)

#### FEATURES

- Foot mounting
- Any plane operation
- Single or dual shaft
- Metal muffler AC980 adds 2" height when installed

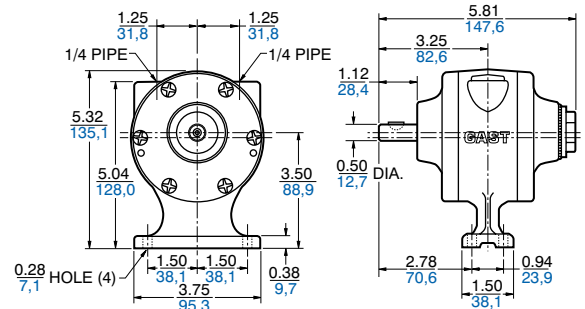
-  II 2 GD c T4

#### RECOMMENDED

- Filter AH103F
- Regulator AH104R
- Gauge AA806
- Lubricator AH105L
- Oil AD220 – 1 quart (.94 litres)
- Repair kit K205 (4 Vane, Reversible)
- Repair kit K279 (8 Vane, Reversible)



Product Dimensions (inches, mm)



**4AM-NRV-22B** (4 Vanes, Reversible)

**4AM-NRV-54A** (8 Vanes, Reversible)

Net wt. 9 lbs (4,1 kg)

#### FEATURES

- Face mounting
- Any plane operation
- Metal muffler AC980 adds 2" height when installed

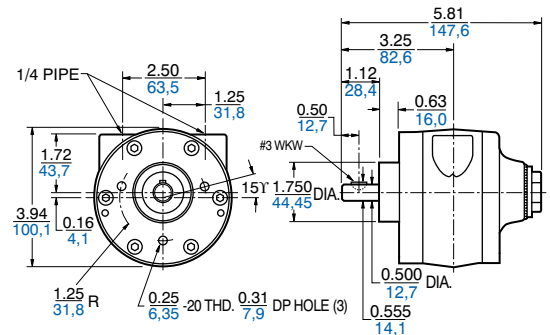
-  II 2 GD c T4

#### RECOMMENDED

- Filter AH103F
- Regulator AH104R
- Gauge AA806
- Lubricator AH105L
- Oil AD220 – 1 quart (.94 litres)
- Repair kit K205 (4 Vane, Reversible)
- Repair kit K279 (8 Vane, Reversible)



Product Dimensions (inches, mm)




**4AM-NRV-50C** (4 Vanes, Reversible)

**4AM-NRV-70C** (8 Vanes, Reversible)

Net wt. 12 lbs (5,4 kg)

#### FEATURES

- NEMA 56C mounting
- Any plane operation
- Metal muffler AC980 adds 2" height when installed

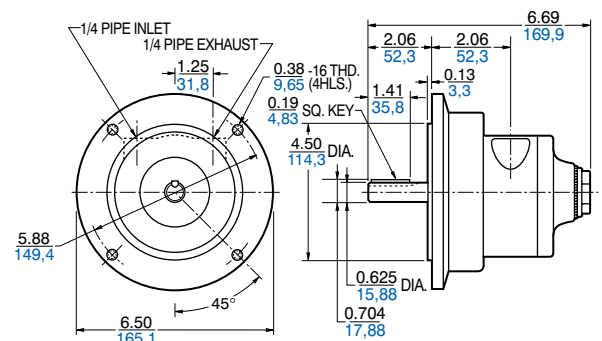
-  II, 2 GD c T4

#### RECOMMENDED

- Filter AH103F
- Regulator AH104R
- Gauge AA806
- Lubricator AH105L
- Oil AD220 – 1 quart (.94 litres)
- Repair kit K206A (4 Vane)
- Repair kit K280A (8 Vane)



Product Dimensions (inches, mm)



### Model


**4AM-ARV-119** (4 Vanes, Reversible)

**4AM-ARV-120 (8 VANES, REVERSIBLE)**

Net wt. 9 lbs (4,1 kg)

### FEATURES

- IEC #72 mounting frame size D71
- Any plane operation
- Metal muffler AC980 adds 2" height when installed (Includes 3/8 BSP adaptor with air motor)

-  II 2 GD c T4

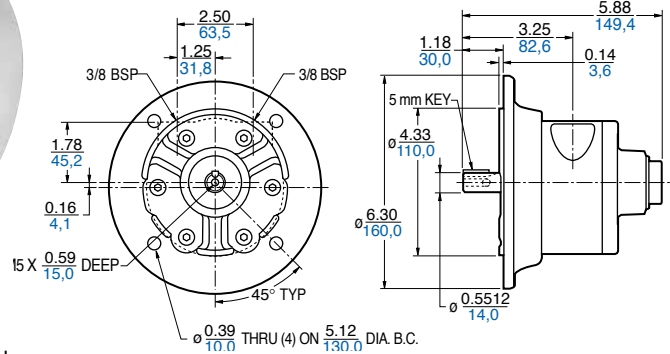
### RECOMMENDED

- Repair kit K206C (4AM-ARV-119)
- Repair kit K208B (4AM-ARV-120)

**Note: Performance data represents a 4-vane model with no exhaust restriction.**

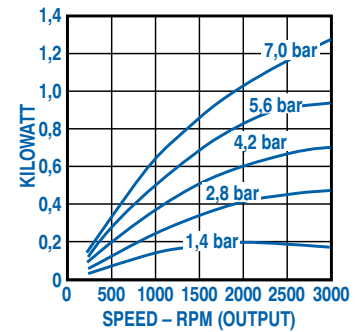
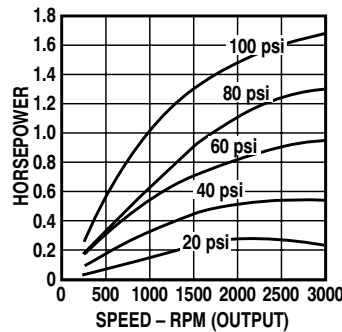


Product Dimensions (inches, mm)

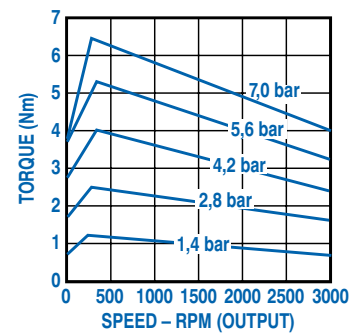
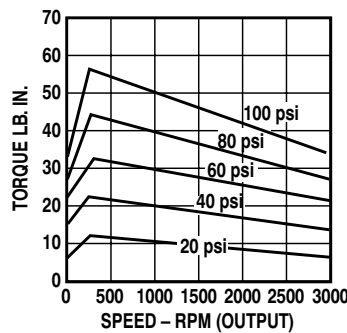


Delivers up to 1,5 kW (2 HP).  
Speeds may be varied from 300 to 3,000 rpm. Max. recommended operating pressure 7 bar (100 psi).

### Output Power vs. Speed



### Torque vs. Speed



### Air Consumption vs. Speed

