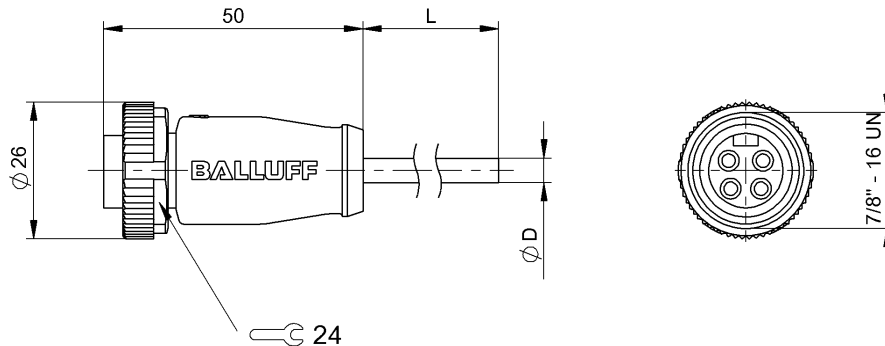


Single-Ended Cordsets

BCC A314-0000-10-003-EX44W6-050

Order Code: BCC0A8E

BALLUFF



Basic features

Application	Operating voltage
Approval/Conformity	CE cULus EAC WEEE

Electrical data

Cable rated voltage AC max.	600 V
Cable rated voltage DC max.	600 V
Operating voltage U_b	300 VDC / 300 VAC
Rated current (40 °C)	10.0 A

Electrical connection

Cable	TPE Yellow, 5.00 m
Cable diameter D	10.88 mm \pm 0.25 mm
Conductor cross-section	16 AWG
Connection	7/8"-Female, Straight, 4-pin
Connector configuration	Straight
Number of conductors	4
Number of pins	4
System	Molded

Environmental conditions

IP rating	IP67, IP68
-----------	------------

Material

Cable jacket, material	TPE
Material contact carrier	PUR
Material contacts	Brass
Material cover nut	Die-cast zinc
Material grip	PUR

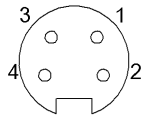
Mechanical data

Cable jacket, color	Yellow
Cable length L	5.00 m
Tightening torque pigtail	1.5 Nm

Remarks

Cable construction acc. to UL-AWM Style 2037
Enclosure rating per IEC 60529, only in screwed state with the associated mating piece.

Connector Drawings



PIN 1: brown
PIN 2: white
PIN 3: blue
PIN 4: black

Wiring Diagrams

