

**Technical Information**

**General Description**

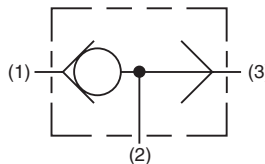
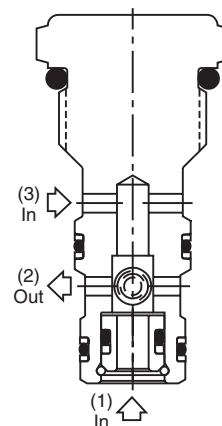
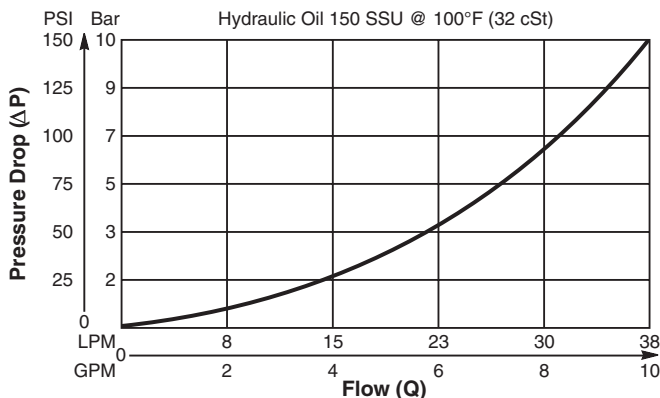
Cartridge Style Shuttle Valve. For additional information see Technical Tips on pages SH1-SH2.

**Features**

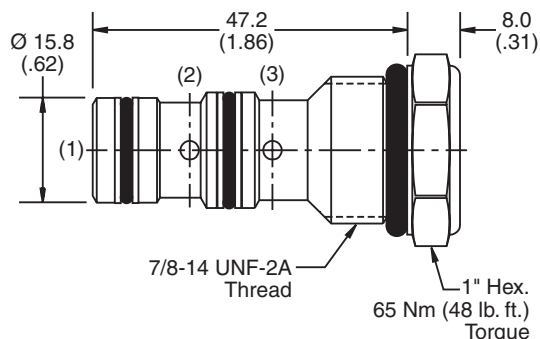
- Hardened, precision ground parts for durability
- 5000 PSI rated
- All external parts zinc plated

**Performance Curve**

Pressure Drop vs. Flow (Through cartridge only)



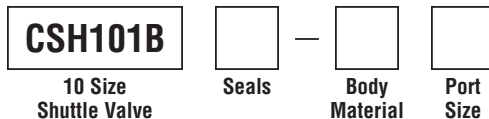
**Dimensions** Millimeters (Inches)



**Specifications**

<b>Rated Flow</b>	38 LPM (10 GPM)
<b>Maximum Inlet Pressure</b>	350 Bar (5000 PSI)
<b>Leakage at 150 SSU (32 cSt)</b>	10 drops/min. (.67 cc/min.) at 350 Bar (5000 PSI)
<b>Cartridge Material</b>	All parts steel. All operating parts hardened steel.
<b>Operating Temp. Range/Seals</b>	-40°C to +93.3°C (Nitrile) (-40°F to +200°F) -31.7°C to +121.1°C (Fluorocarbon) (-25°F to +250°F)
<b>Fluid Compatibility/Viscosity</b>	Mineral-based or synthetic with lubricating properties at viscosities of 45 to 2000 SSU (6 to 420 cSt)
<b>Filtration</b>	ISO code 16/13, SAE Class 4 or better
<b>Approx. Weight</b>	.14 kg (0.3 lbs.)
<b>Cavity</b>	C10-3 (See BC Section for more details)
<b>Form Tool</b>	Rougher NFT10-3R Finisher NFT10-3F

**Ordering Information**



Code	Seals / Kit No.
Omit	Nitrile / (SK10-3N)
V	Fluorocarbon / (SK10-3V)

Code	Body Material
Omit	Steel
A	Aluminum

Code	Port Size	Body Part No.
Omit	Cartridge Only	
4P	1/4" NPTF	(B10-3-*4P)
6P	3/8" NPTF	(B10-3-*6P)
8P	1/2" NPTF	(B10-3-*8P)
6T	SAE-6	(B10-3-*6T)
8T	SAE-8	(B10-3-*8T)
6B	3/8" BSPG	(B10-3-6B)†
8B	1/2" BSPG	(B10-3-*8B)

\* Add "A" for aluminum, omit for steel.  
† Steel body only.

- CV** Check Valves
- SH** Shuttle Valves
- LM** Load/Motor Controls
- FC** Flow Controls
- PC** Pressure Controls
- LE** Logic Elements
- DC** Directional Controls
- MV** Manual Valves
- SV** Solenoid Valves
- PV** Proportional Valves
- CE** Coils & Electronics
- BC** Bodies & Cavities
- TD** Technical Data