

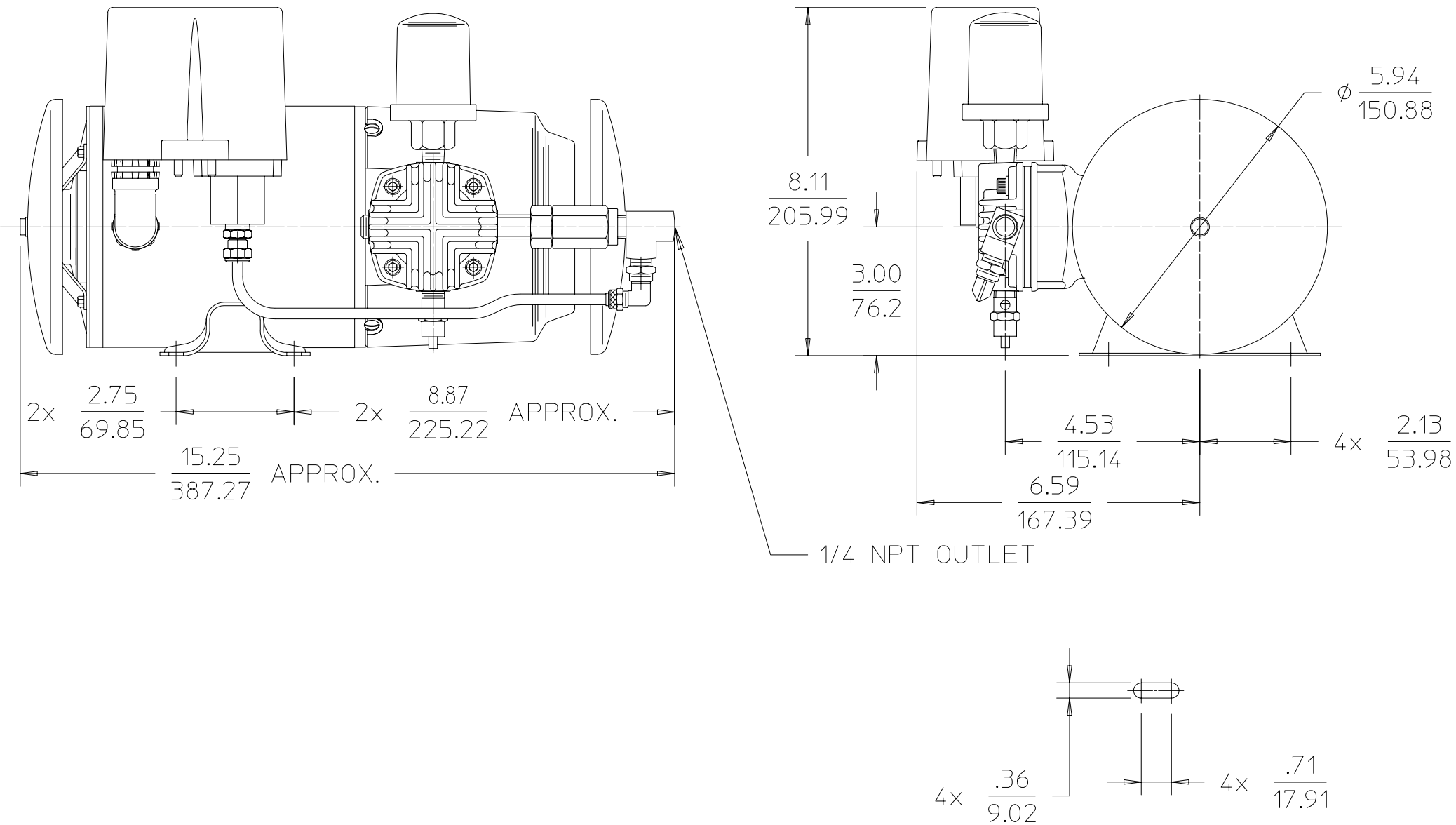


GAST MANUFACTURING, INC.  
 A Unit of IDEX Corporation  
 Post Office Box 97  
 Benton Harbor, Michigan  
 Ph: 269/926-6171  
 Fax: 269/925-8288

# Product Specifications

Model	V	HP	kW	Hz	Part Number:	Revision
1LAA-46S-M100GX	115	1/6	0.12	60	RTD652A	A

1725  
 76dBA +5  
 +40 °C  
 20-80  
 22.5 lbs.  
 10.2 kg



- NOTES:
1. ALL DIMENSIONS ARE FOR REFERENCE USE ONLY.
  2. PRODUCT DIMENSIONS: U.S. IMPERIAL (inches) METRIC (mm).
  3. TECHNICAL DATA SUBJECT TO CHANGE WITHOUT NOTICE.
  - 4 ENVIRONMENT: CLEAN DUST FREE
  5. FACTORY SETTING: CUT-IN 40 PSI± 2 PSI/CUT-OUT 50 PSI ±2 PSI.

## PRODUCT PERFORMANCE

