



GAST MANUFACTURING, INC.  
 A Unit of IDEX Corporation  
 Post Office Box 97  
 Benton Harbor, Michigan  
 Ph: 269/926-6171  
 Fax: 269/925-8288

# Product Specifications

Model	V	HP	kW	Hz	Part Number:	Revision
4LCB-46S-M450GX	115/230	1/2	0.37	60	RTD658A	A



1725



<75dBA

+5



°C

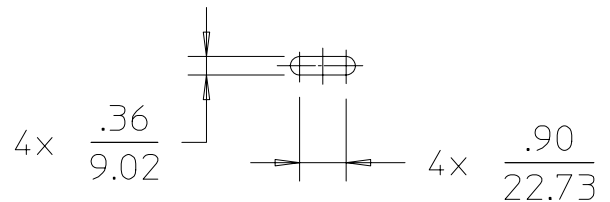
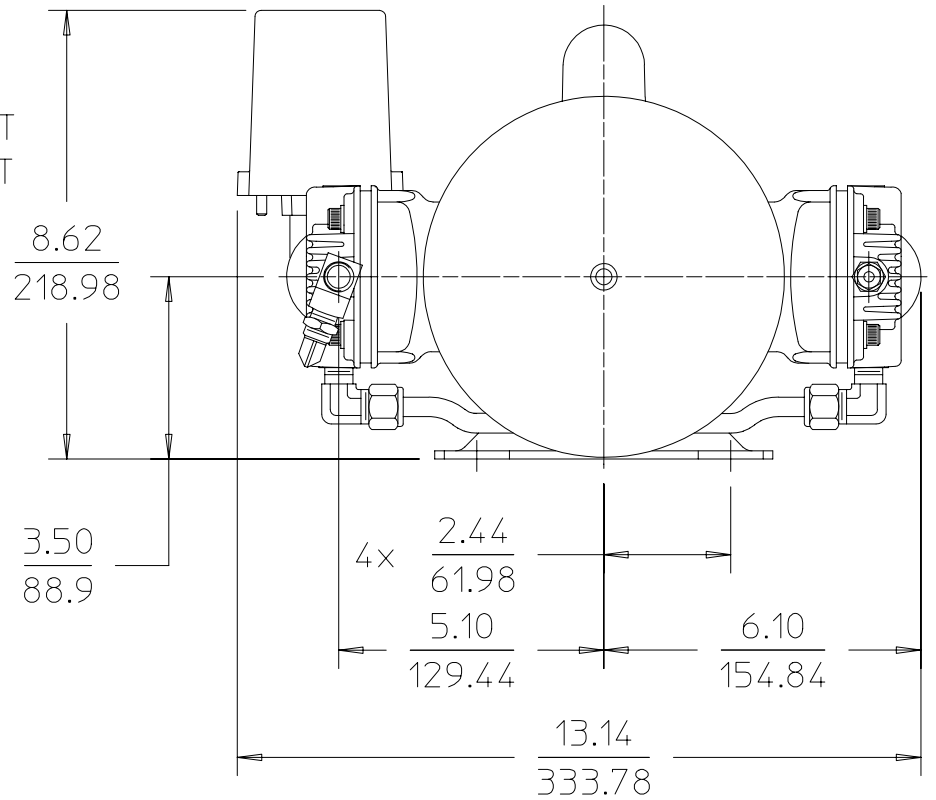
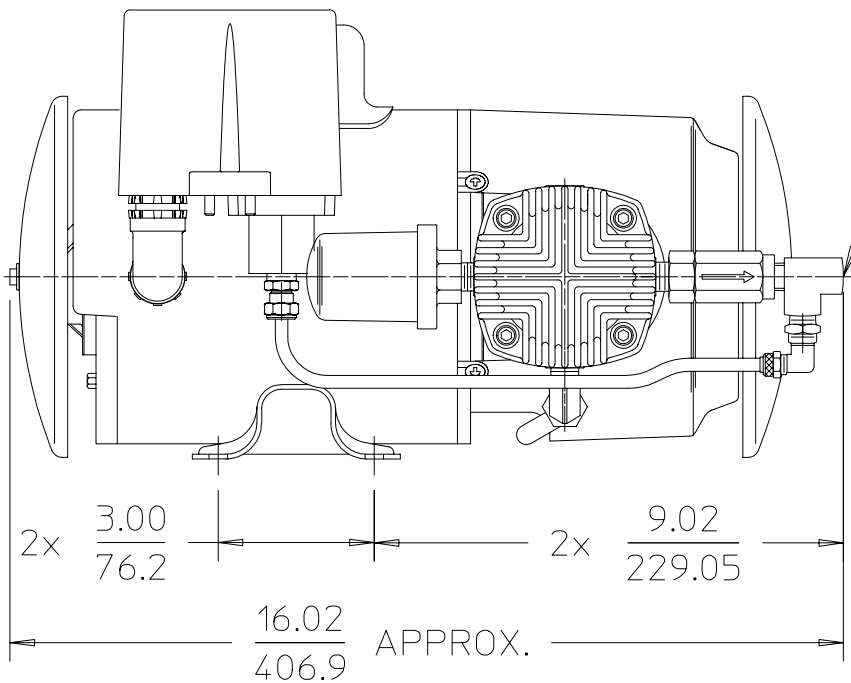
+40



20-80



39.5 lbs.  
17.8 kg



## NOTES:

1. ALL DIMENSIONS ARE FOR REFERENCE USE ONLY.
2. PRODUCT DIMENSIONS: U.S. IMPERIAL (inches) METRIC (mm).
3. TECHNICAL DATA SUBJECT TO CHANGE WITHOUT NOTICE.
- 4 ENVIRONMENT: CLEAN DUST FREE.
5. FACTORY SETTING: CUT-IN 40 PSI± 2 PSI/CUT-OUT 50 PSI ±2 PSI.

## PRODUCT PERFORMANCE

