

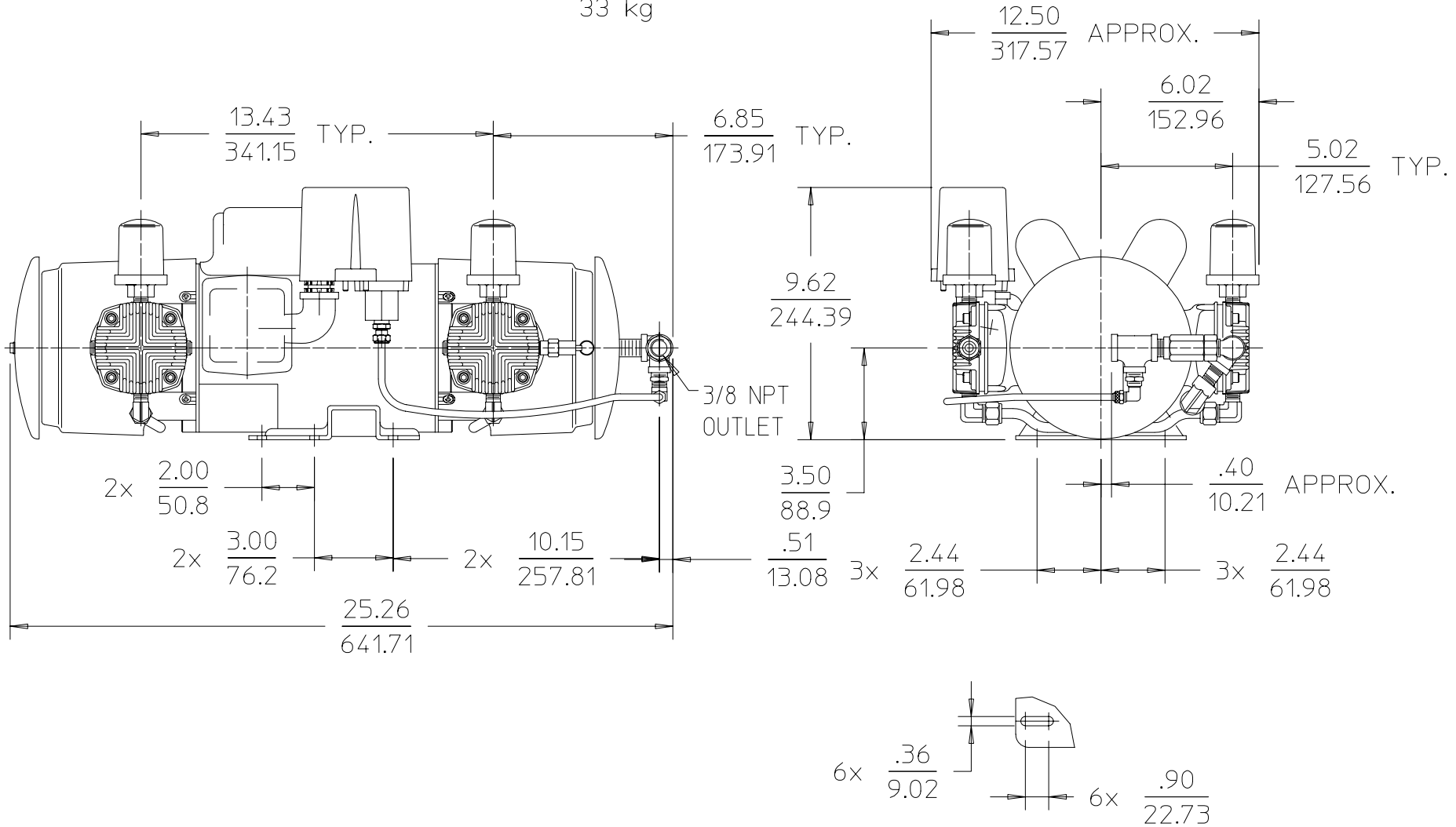
# Product Specifications



GAST MANUFACTURING, INC.  
 A Unit of IDEX Corporation  
 Post Office Box 97  
 Benton Harbor, Michigan  
 Ph: 269/926-6171  
 Fax: 269/925-8288

Model	V	HP	kW	Hz	Part Number:	Revision
7LDE-46S-M750X	115/208-230	1.5	1.11	60	RTD661A	A

1725    
 75-81 dBA    
 +5 °C    
 +40 °C    
 20-80    
 73 lbs. / 33 kg



**NOTES:**

1. ALL DIMENSIONS ARE FOR REFERENCE USE ONLY.
2. PRODUCT DIMENSIONS: U.S. IMPERIAL (inches) METRIC (mm).
3. TECHNICAL DATA SUBJECT TO CHANGE WITHOUT NOTICE.
4. ENVIRONMENT: CLEAN DUST FREE.
5. FACTORY SETTING: CUT-IN 40 PSI± 2 PSI/CUT-OUT 50 PSI ±2 PSI.

**PRODUCT PERFORMANCE**

